

FIG. 1

U.S. PATENT & TRADEMARK OFFICE
JUL 08 2004
EJC/17

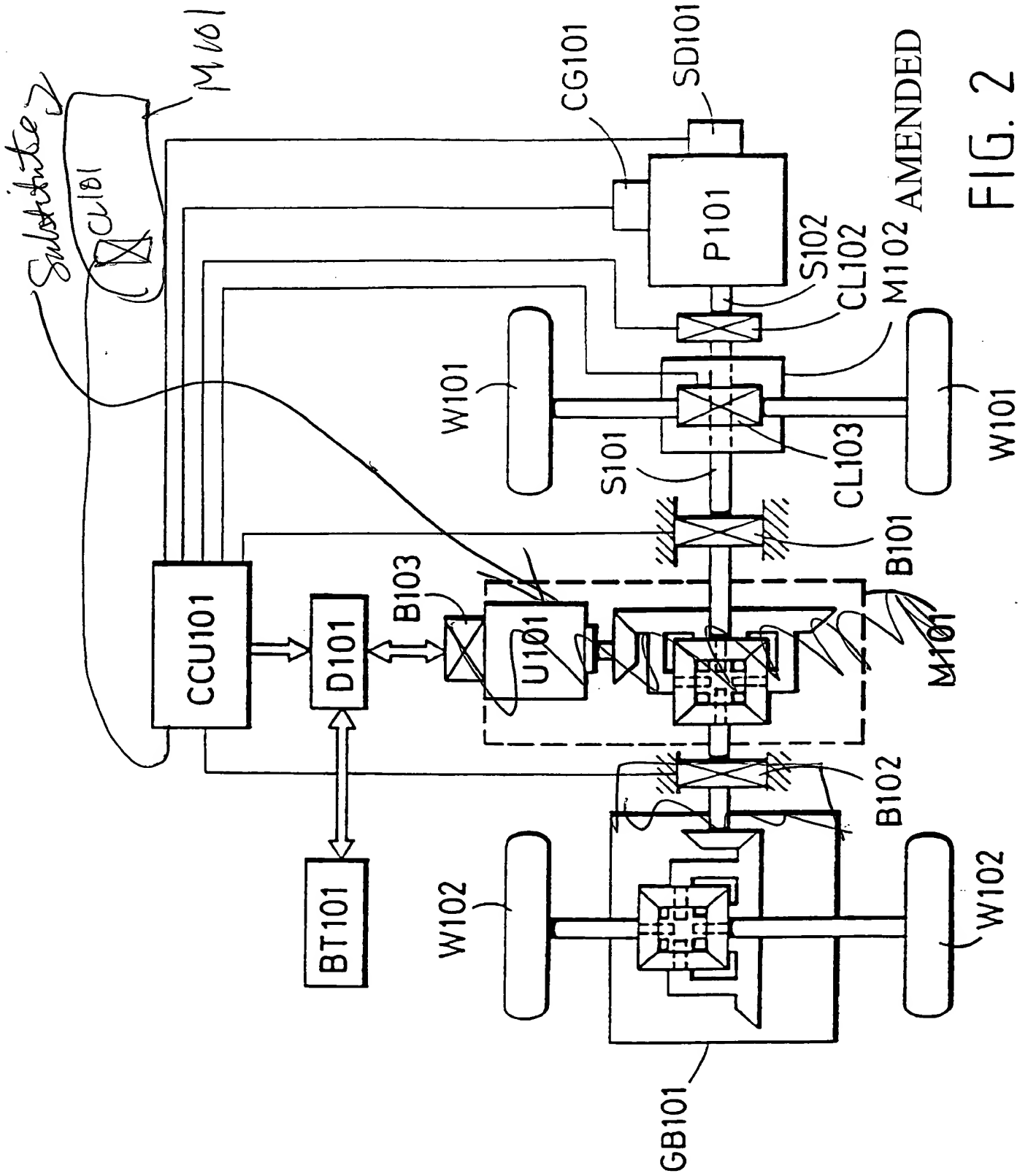


FIG. 2

O I P E J C I 7 7
J U L 0 8 2 0 0 4
P A T E N T & T R A D E M A R K O F F I C E

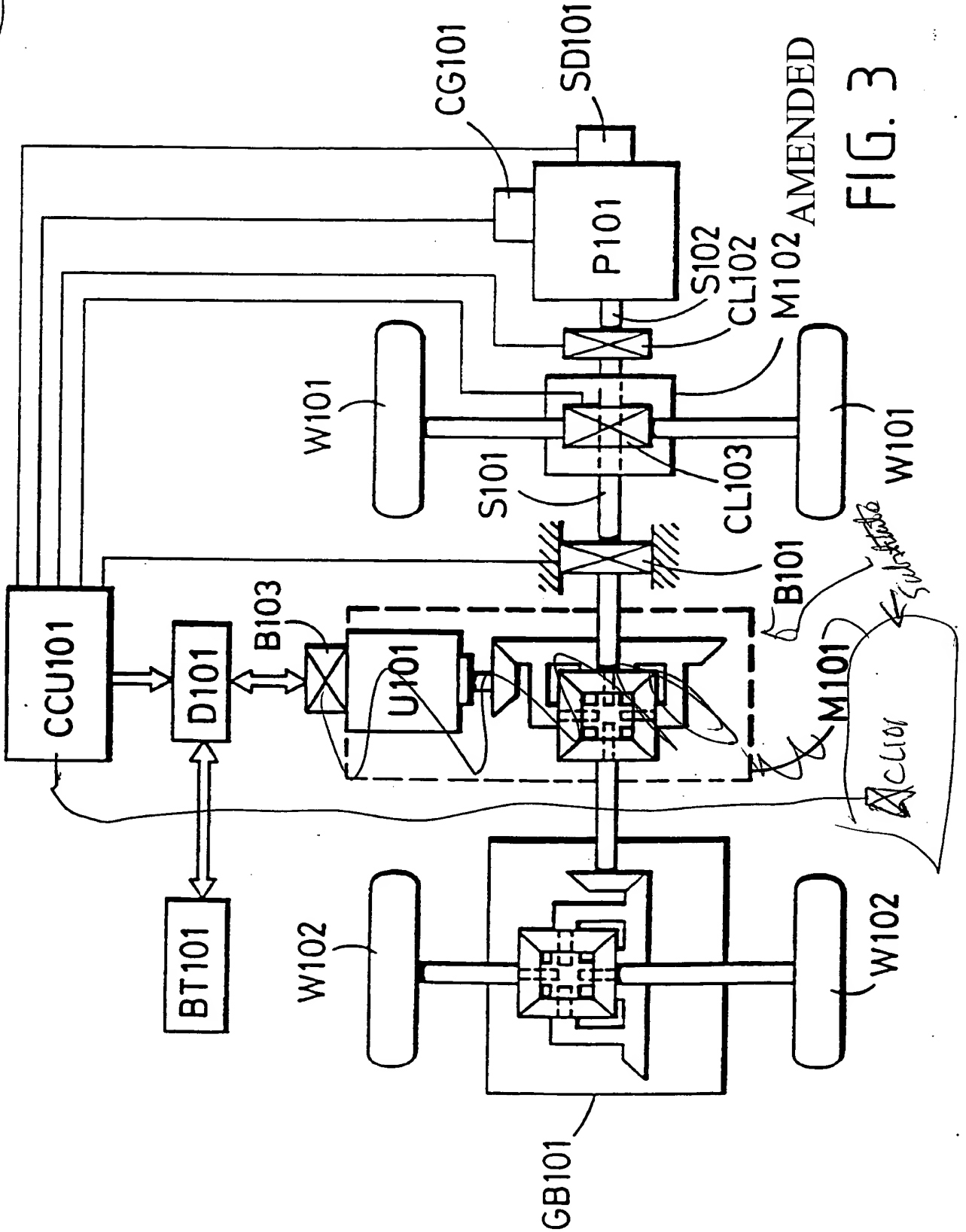


FIG. 3

O I P E J C 1 7 7
J U L 0 8 2 0 0 4
P A T E N T & T M A R K O F F I C E

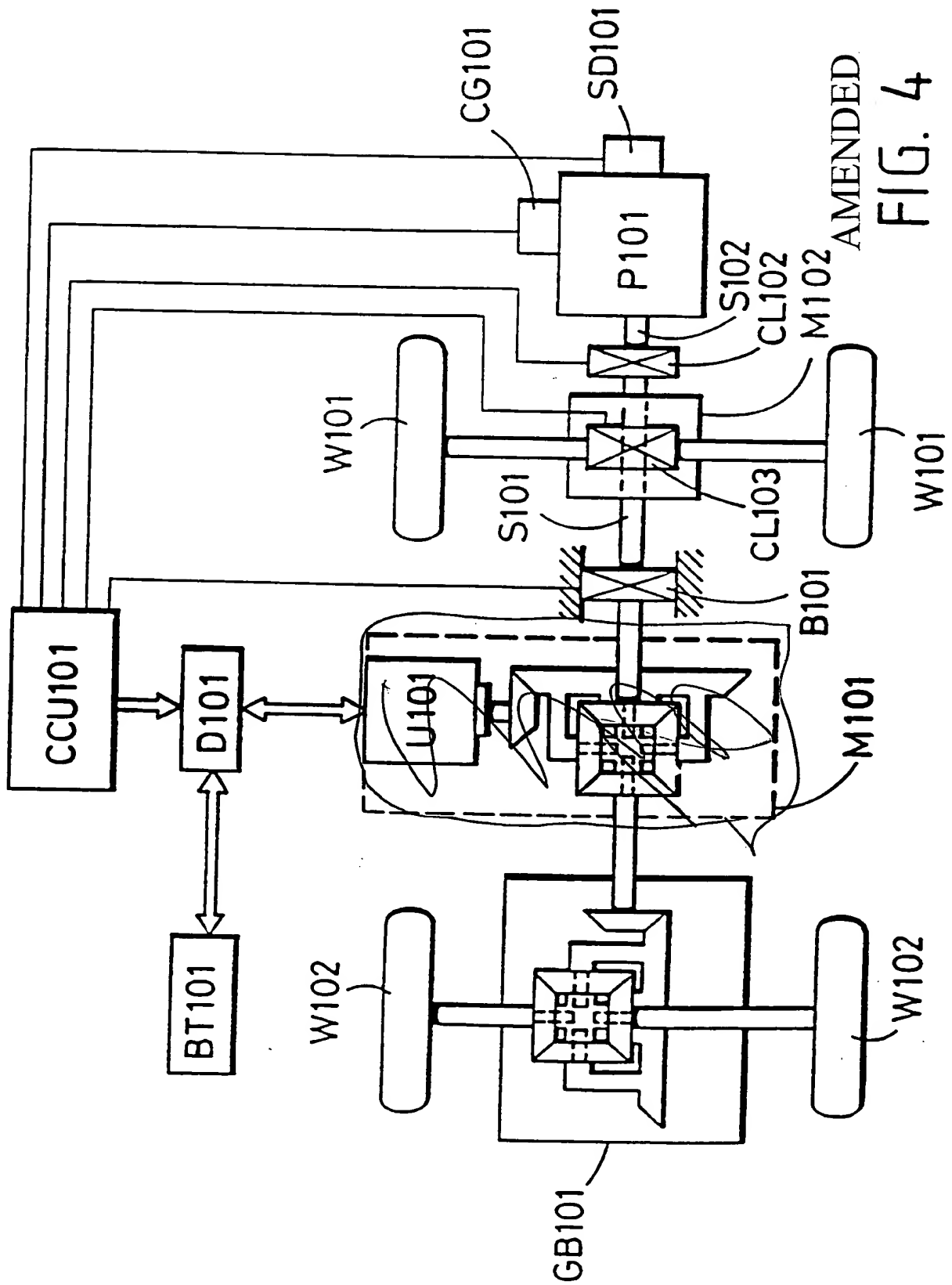


FIG. 4

AMENDED

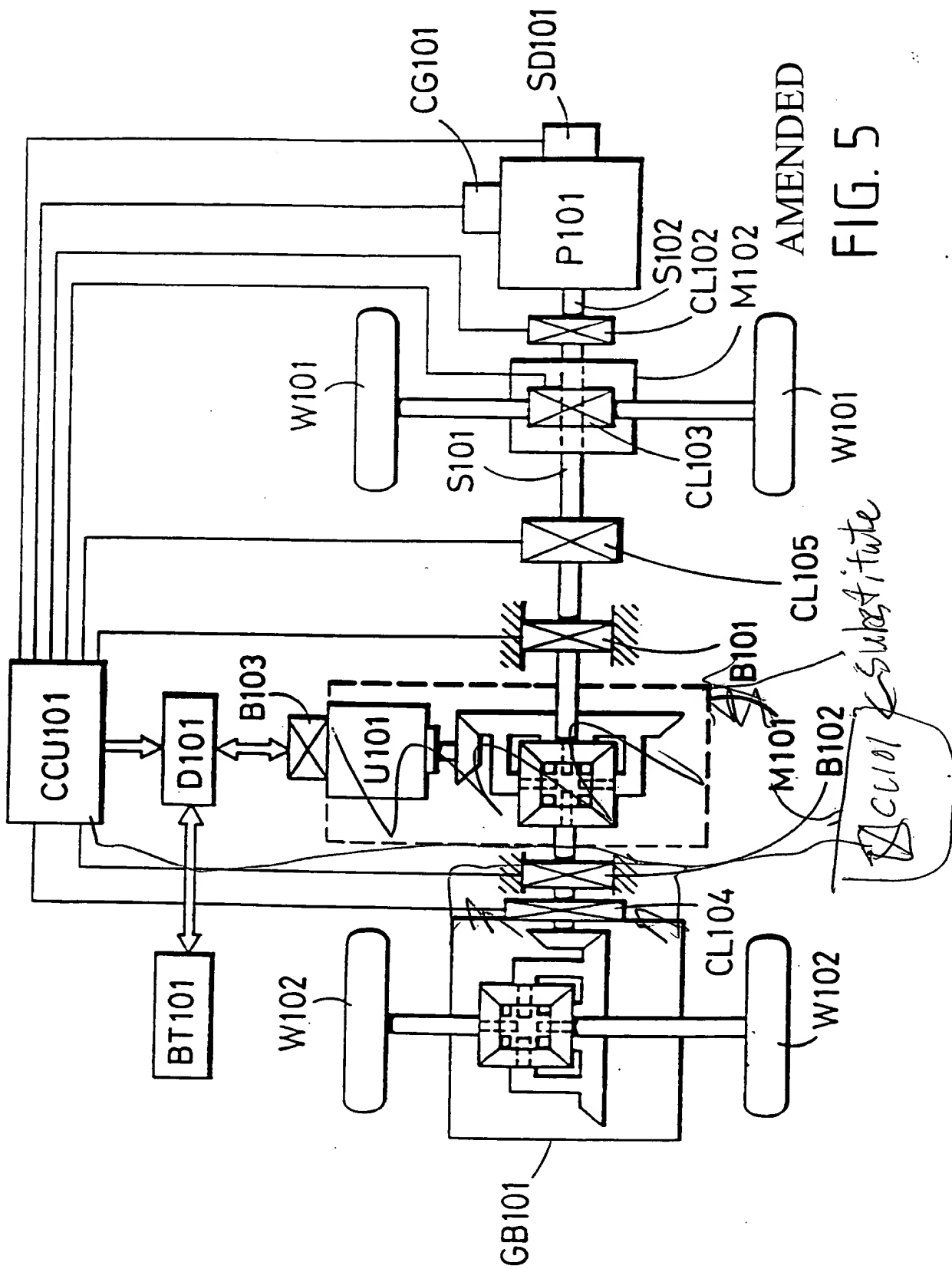
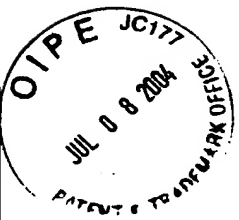


FIG. 5

